

APPROVAL SHEET

To Messers : _____

Model No. : MAGNETIC CONTACT

Part No. : HAA28

Date : _____

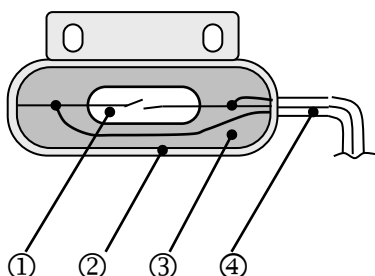
Maker _____

Authorized Signature			
CUSTOM APPROVED	APPROVED BY	PREPARED BY	

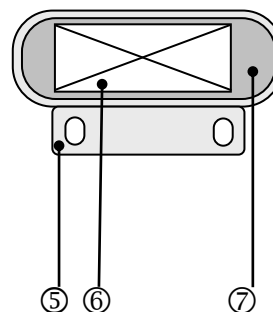
This sheet is made up of structure, specification and dimension .

1. Structure

Switch



Magnet



No.	Model	Parts	
1	Reed Switch	HYR1532	
2	Plastic Case	ABS Resin PA-709	
3	Plastic molding	Epoxy Resin EP108FR	
4	Wire	AWG#24 1007 VW-1	
5	Plastic Case	ABS Resin PA-709	
6	Magnet	Anisotropic ferrite	
7	Plastic Molding	Epoxy Resin EP108FR	

2. Specification

Switch

2-1-1	Loop type	: closed loop
2-1-2	Reed Switch Contact Form	: FORM A N.C.
2-1-3	Switching voltage (max.)	: 100v AC / DC
2-1-4	Switching current (max.)	: 100 mA
2-1-5	Contact capacity (max.)	: 5 watt
2-1-6	Initial contact resistance	: 0.2 Ohm max.
2-1-7	Carry current (max.)	: 100 mA
2-1-8	Breakdown voltage	: 150 VDC
2-1-9	Insulation resistance	: 100 Mohm min.
2-1-10	Switch cycle	: 5×10^7 cycle at 12. V 50 mA

Magnet

2-2-1	Material	: Anisotropic ferrite
2-2-2	Residual flux density (Br)	: 3300 -3600 Gauss
2-2-3	Maximun energy product (BH) max.	: 2.5 -3.5 MG.Oe
2-2-4	Curie temperature (Tc)	: 450°C

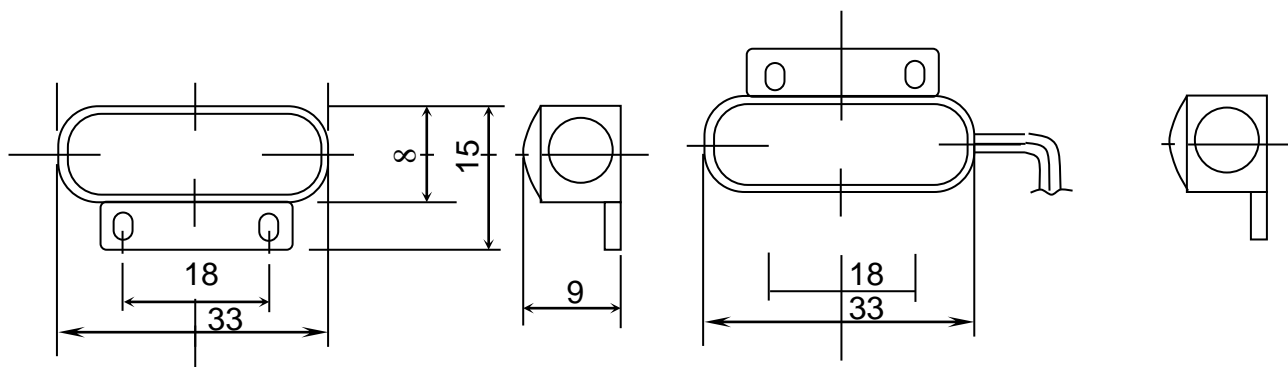
Gap

2-3-1	Sense gap	: 20mm min.
-------	-----------	-------------

Physical characteristic

2-4-1	Temperature	: -20°C— +60°C
2-4-2	Vibration	: 20 G (10— 55 Hz)
2-4-3	Shock	: 30 G (11 msec)
2-4-4	Heat shock	: -25°C—+65°C (30min) (30min) 100 cycle
2-4-5	Package drop	: Drop height 80 cm
2-4-6	Humidity	: 80°C 95% RH 72 hrs

3. Dimension



Unit: mm