

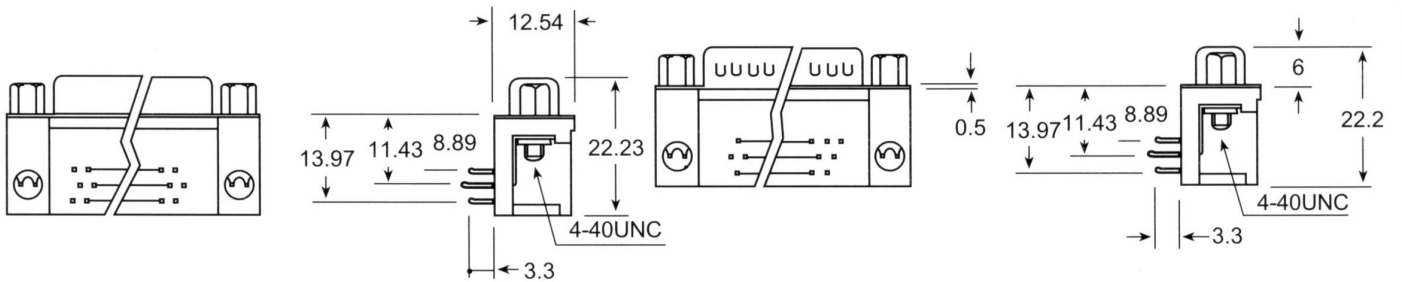
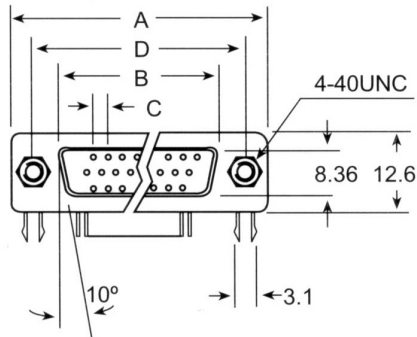
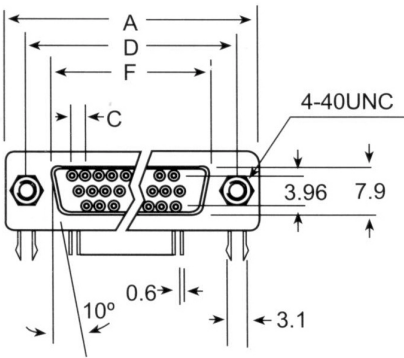
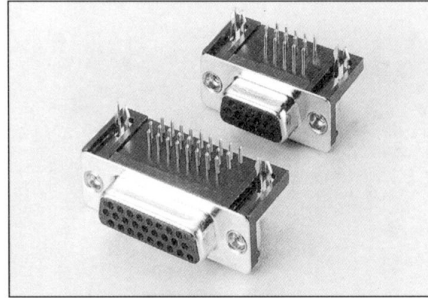
# D-SUB H.D. RIGHT ANGLE TYPE

## Specifications:

**Contact Resistance:** 30mΩmax.at DC 100mA  
**Insulator Resistance:** 1000MΩmin.at DC 500V  
**Current Rating:** 3 AMP

## Dielectric Withstanding

**Voltage:** AC 1000V For 1 minute  
**Operating Temperature:** -55°C ~ +105°C  
**Contact:** Brass or Phosphor Bronze  
**Housing:** PBT & 30% Glass Fiber (UL 94V-O)



## Dimension

Position	Dimension				
	A	B	C	D	E
15	16.3	0.25	2.29	24.99	30.8
26	24.7	0.51	2.29	33.32	39.1
44	38.4	0.51	2.29	47.04	53.0
62	54.8	0.58	2.41	63.50	69.3