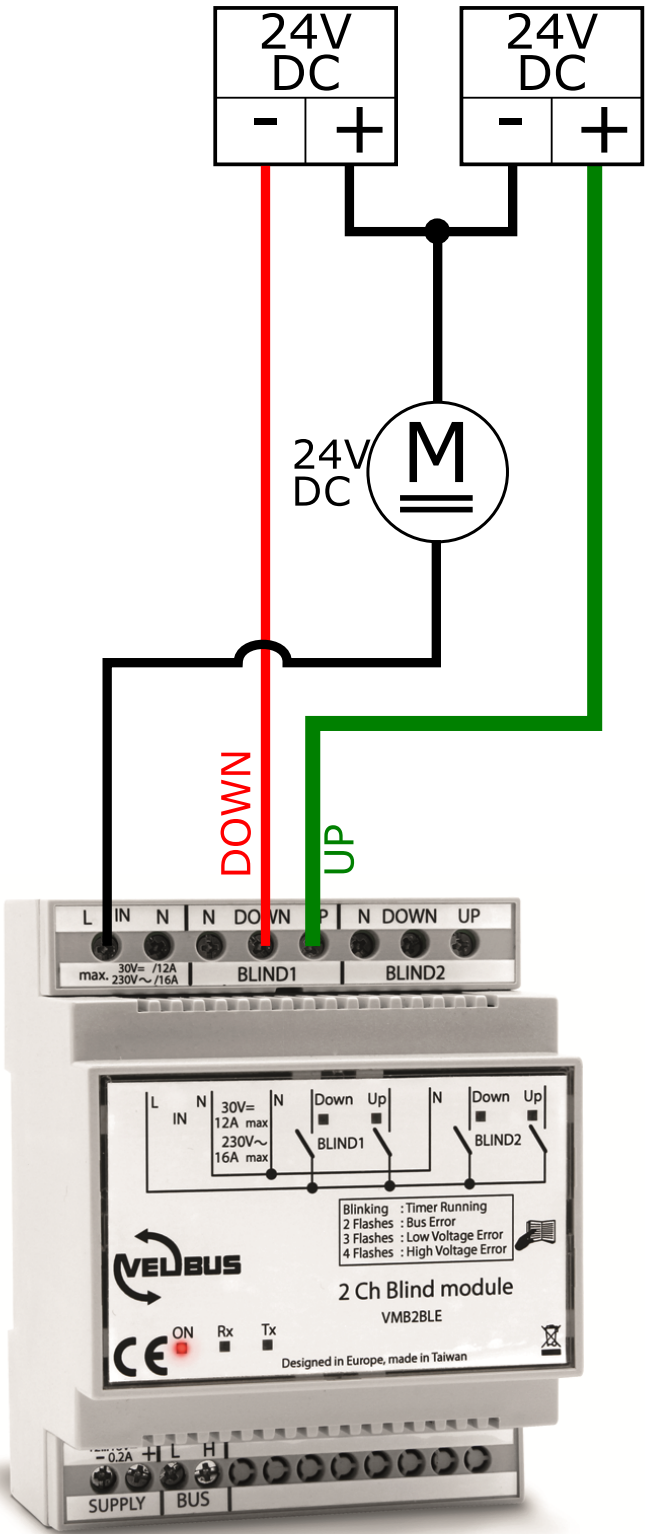


Connection 24V DC Blind



Do NOT connect L nor N to mains!

Max. one 24V motor per module

VMB2BLE